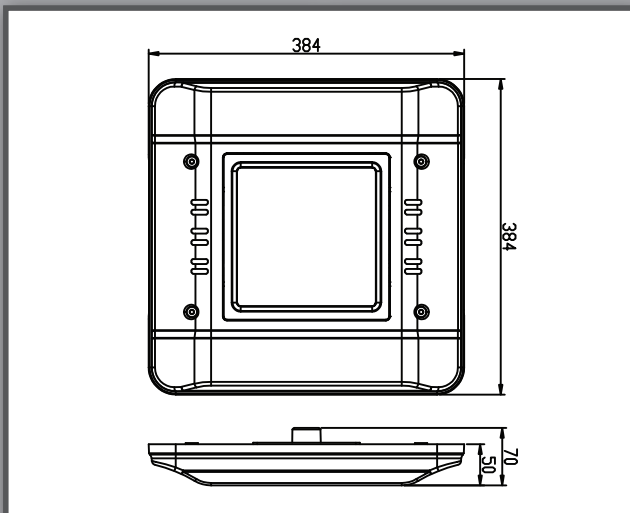
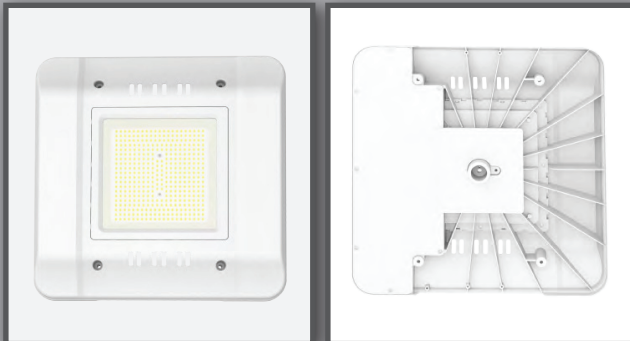


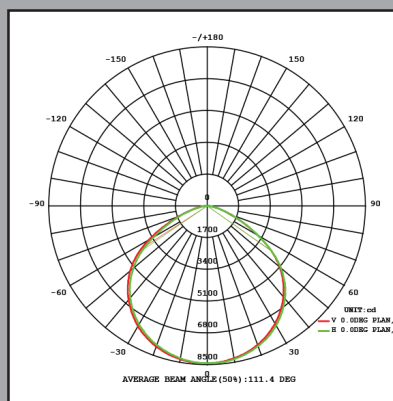
CANPAK Canopy Light

Low maintenance and long life

Dust and Water Resistant



150W PHOTOMETRY



APPLICATIONS:

- Fuel Station
- Warehouse
- Supermarket
- Workshop

SPECIFICATIONS:

Power	150W
Lumen	19500lm
CCT	6500K
Rating	IP65
PF	0.9
CRI	≥80
Beam Angle	110°

FEATURES:

- Easy to install
- Samsung LED Chip
- Meanwell Dimmable Driver
- Efficacy 130lm/W
- IK08
- Aluminum Body & Glass Diffuser
- Operating temperature - 30° to 40°C
- Warranty 5 years product replacement

SKU: 29621

Other wattages are available on indent basis.
 Accessories available for different mounting options.